



LED

SPORT
LIGHTING
SOLUTIONS



THE INVICTUS SERIES

250W - Optic 1

Internal Drivers



WITH GLARE SHIELDS

Model No	INVICTUS 250
Input Power	250W
LED	3030 LED Chips
Lumen Output	140 lm/watt
Working Temp	-40°C - +50°C
Protection Class	IP66
Material	Aluminium Body
Size	As per outline drawing
Weight	15kg inc. driver
Lifespan	100,000 hours
Colour Temperature	4000 - 5000K
Input Voltage	200 - 415VAC, 50/60 Hz
CRI	70-90 Ra
Dim/RC (optional)	1-10V/DMX/DALI
Sail Area @ 40°	0.250
Warranty	10 Years
Country of Manufacture	Australia

THE INVICTUS SERIES

500W - Optic 1 Internal Drivers

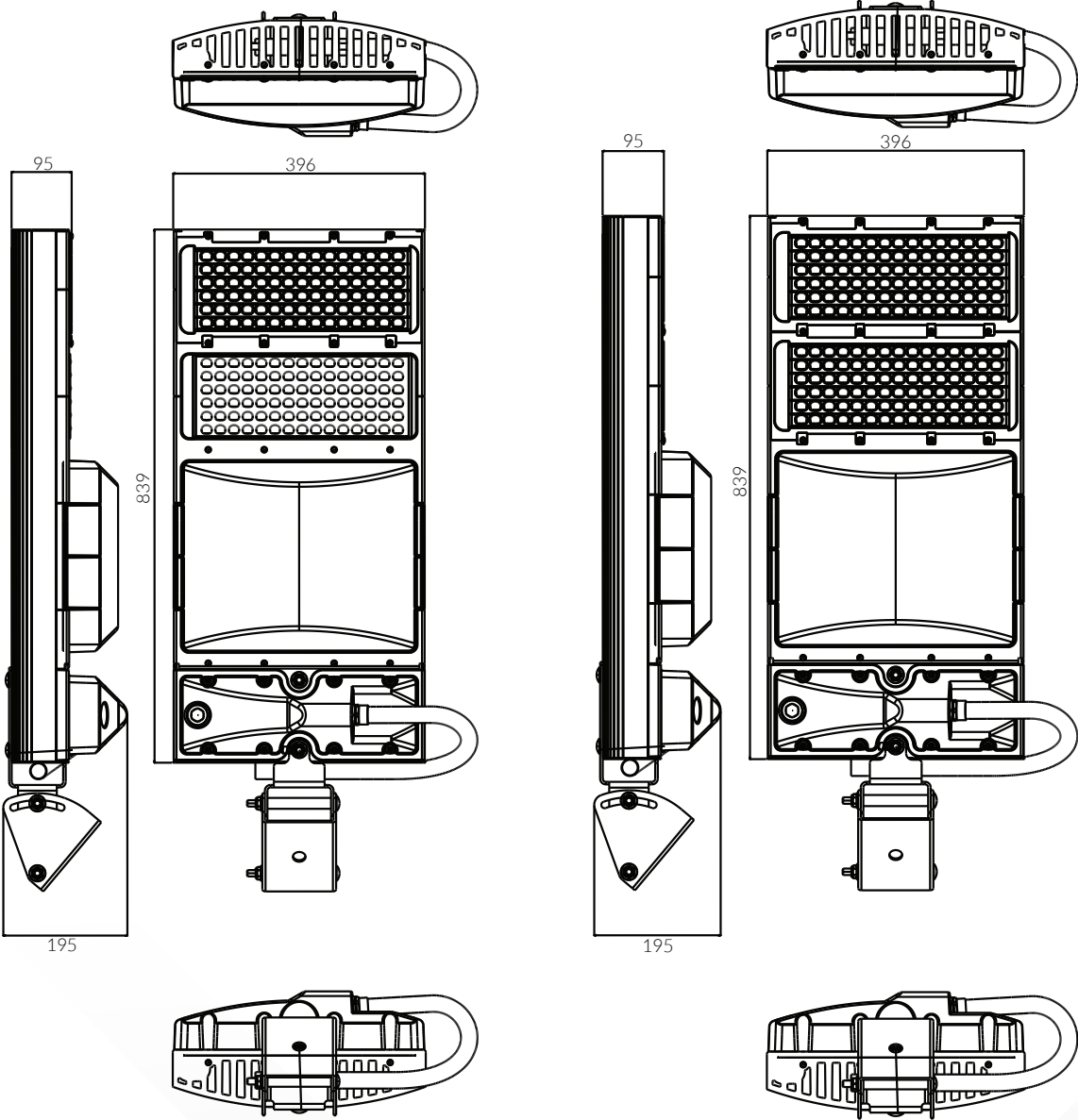


WITH GLARE SHIELDS

Model No	INVICTUS 500
Input Power	500W
LED	3030 LED Chips
Lumen Output	140 lm/watt
Working Temp	-40°C - +50°C
Protection Class	IP66
Material	Aluminium Body
Size	As per outline drawing
Weight	15kg inc. driver
Lifespan	100,000 hours
Colour Temperature	4000 - 5000K
Input Voltage	200 - 415VAC, 50/60 Hz
CRI	70-90 Ra
Dim/RC (optional)	1-10V/DMX/DALI
Sail Area @ 40°	0.250
Warranty	10 Years
Country of Manufacture	Australia

THE INVICTUS SERIES

250W & 500W Optic 1
Internal Drivers



THE INVICTUS SERIES

1000W - Optic 1 External Drivers



WITH GLARE SHIELDS

Model No	INVICTUS 1000
Input Power	1000W
LED	3030 LED Chips
Lumen Output	140 lm/watt
Working Temp	-40°C - +50°C
Protection Class	IP66
Material	Aluminium Body
Size	As per outline drawing
Weight	15kg inc. driver
Lifespan	100,000 hours
Colour Temperature	4000 - 5000K
Input Voltage	200 - 415VAC, 50/60 Hz
CRI	70-90 Ra
Dim/RC (optional)	1-10V/DMX/DALI
Sail Area @ 40°	0.250
Warranty	10 Years
Country of Manufacture	Australia

THE INVICTUS SERIES

1000W - Optic 1 Internal Drivers



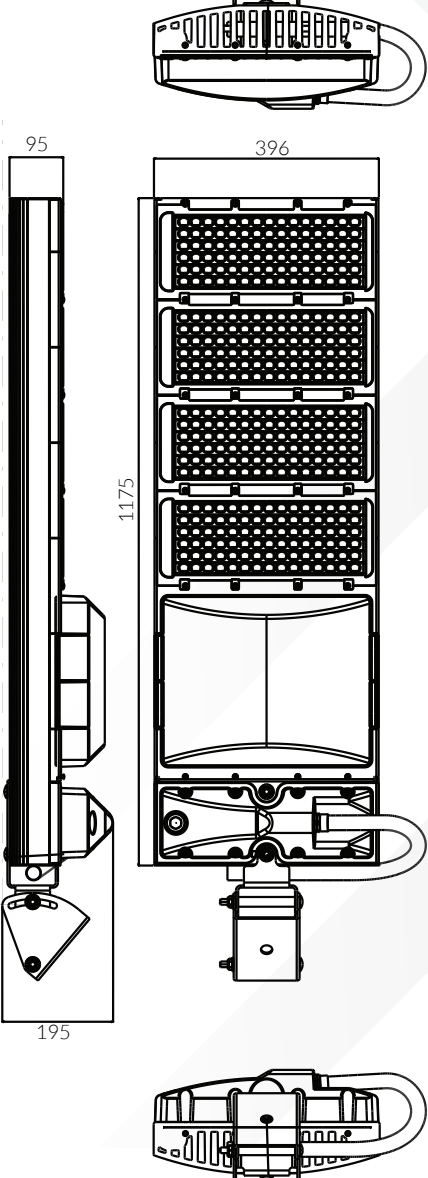
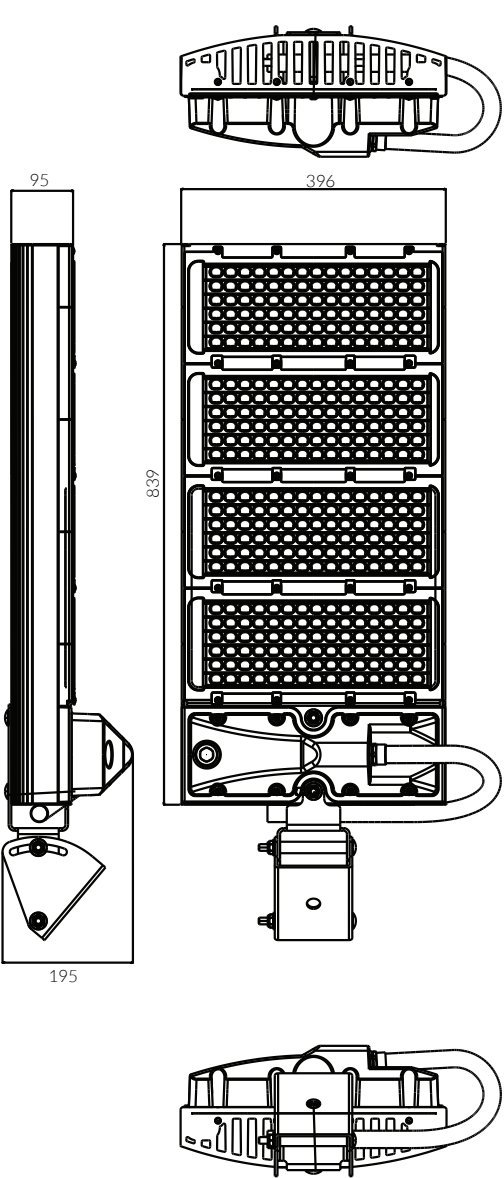
WITH GLARE SHIELDS

Model No	INVICTUS 1000
Input Power	1000W
LED	3030 LED Chips
Lumen Output	140 lm/watt
Working Temp	-40°C - +50°C
Protection Class	IP66
Material	Aluminium Body
Size	As per outline drawing
Weight	32kg inc. driver
Lifespan	100,000 hours
Colour Temperature	4000 - 5000K
Input Voltage	200 - 415VAC, 50/60 Hz
CRI	70-90 Ra
Dim/RC (optional)	1-10V/DMX/DALI
Sail Area @ 40°	0.320
Warranty	10 Years
Country of Manufacture	Australia

THE INVICTUS SERIES

1000W Optic 1

External & Internal Drivers



THE INVICTUS SERIES

1500W - Optic 1 External Drivers

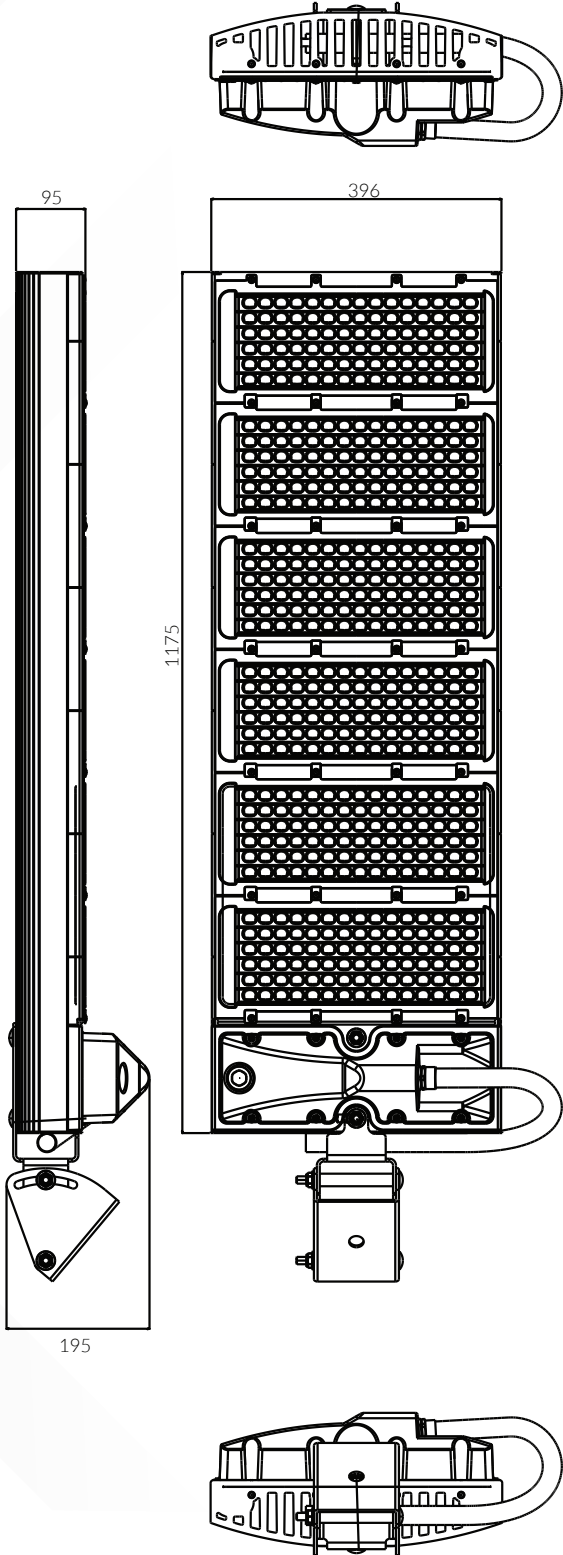


WITH GLARE SHIELDS

Model No	INVICTUS 1500
Input Power	1500W
LED	3030 LED Chips
Lumen Output	140 lm/watt
Working Temp	-40°C - +50°C
Protection Class	IP66
Material	Aluminium Body
Size	As per outline drawing
Weight	26kg
Lifespan	100,000 hours
Colour Temperature	4000 - 5000K
Input Voltage	200 - 415VAC, 50/60 Hz
CRI	70-90 Ra
Dim/RC (optional)	1-10V/DMX/DALI
Sail Area @ 40°	0.320
Warranty	10 Years
Country of Manufacture	Australia

THE INVICTUS SERIES

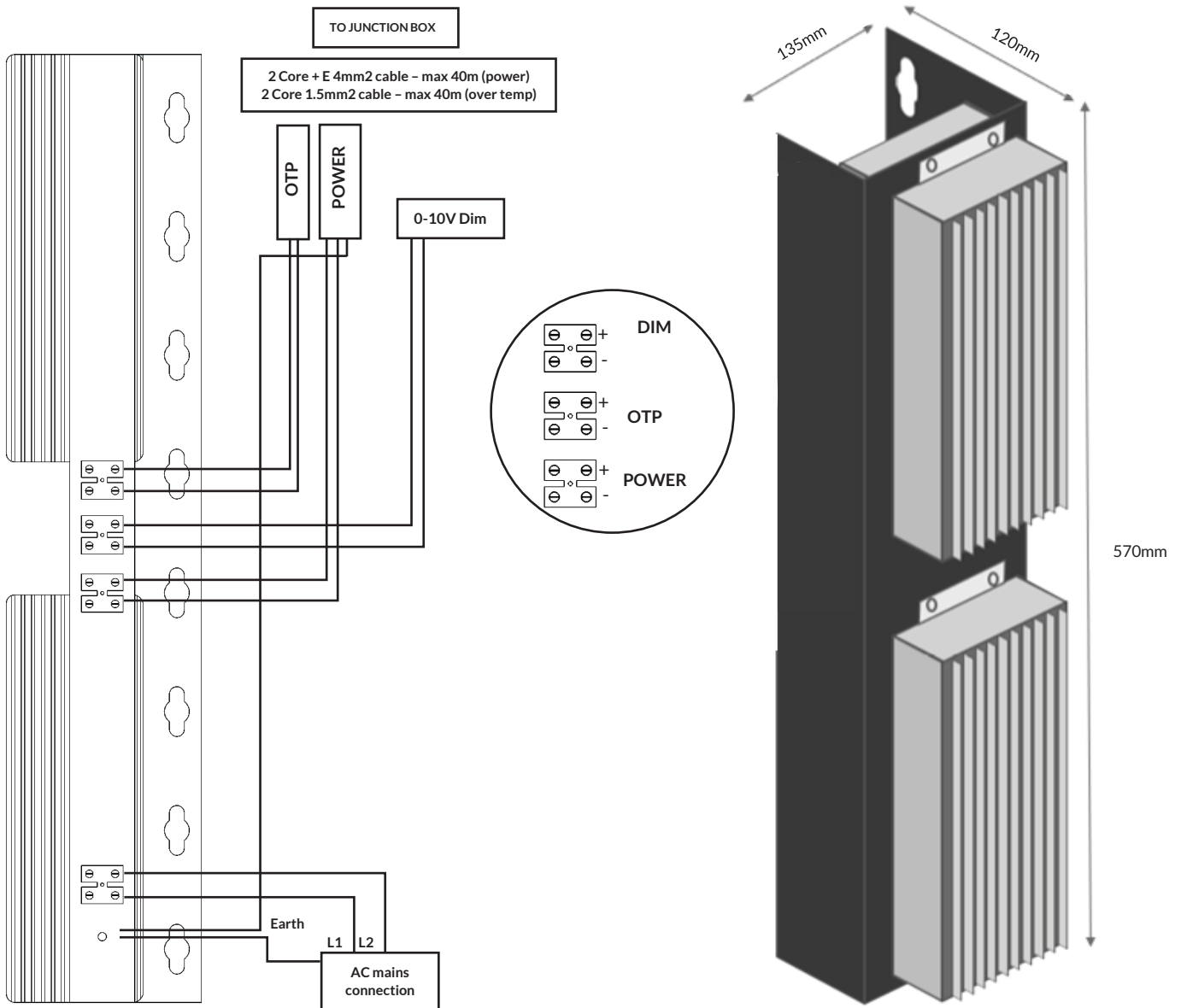
1500W Optic 1
External Drivers



LEGACY 1500W REMOTE GEAR TRAY

220 - 480v - DALI

240V SINGLE PHASE OR 415V TWO PHASE

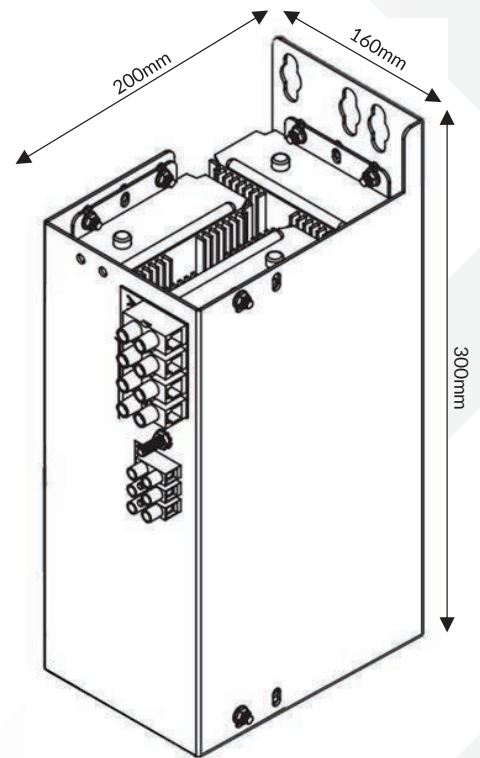
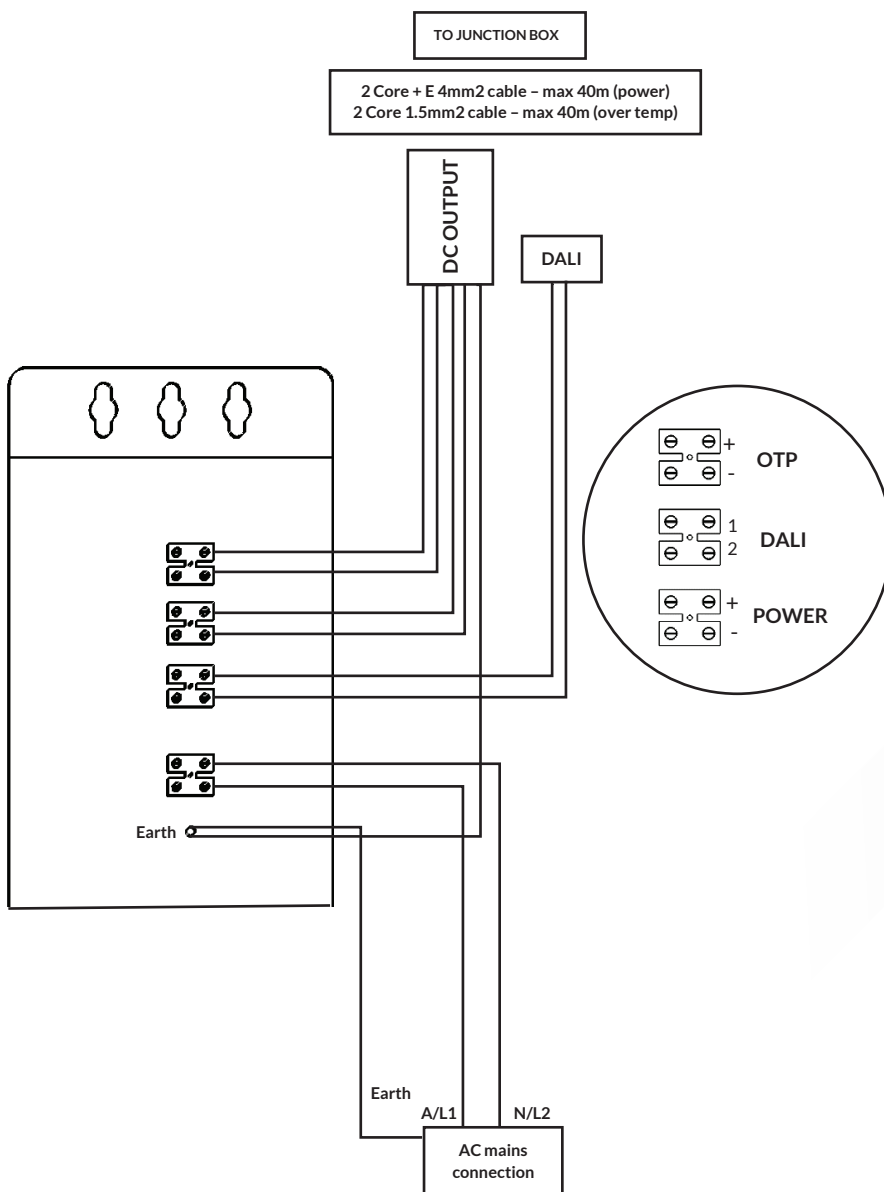


MODEL	INPUT VOLTAGE	CURRENT DRAW	DIMMING	DIMENSIONS	WEIGHT	WARRANTY
Legacy 1500W GT	200-480VAC	240V-7A/415V-4.5A	DALI	300x200x160mm	10.3kg	10 years

LEGACY 1500W REMOTE GEAR TRAY

220 - 480v - DALI

240V SINGLE PHASE OR 415V TWO PHASE



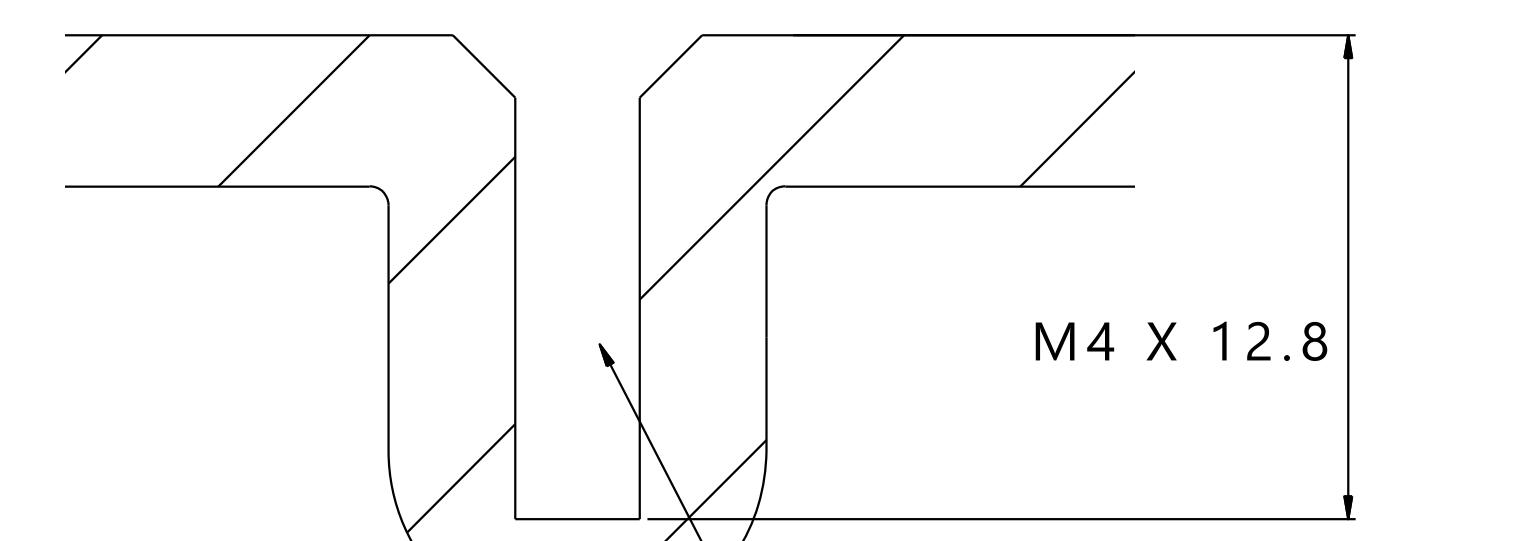
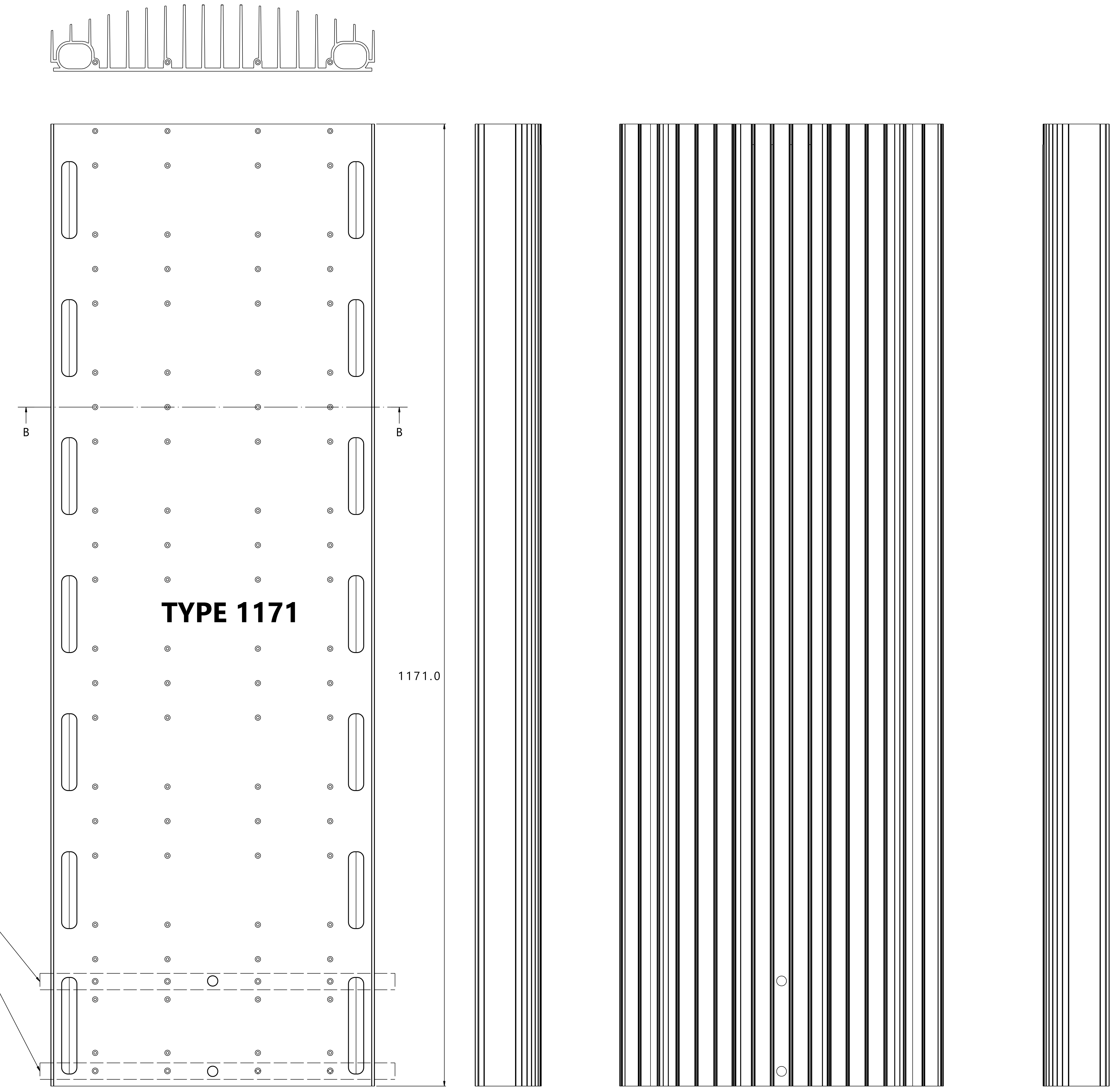
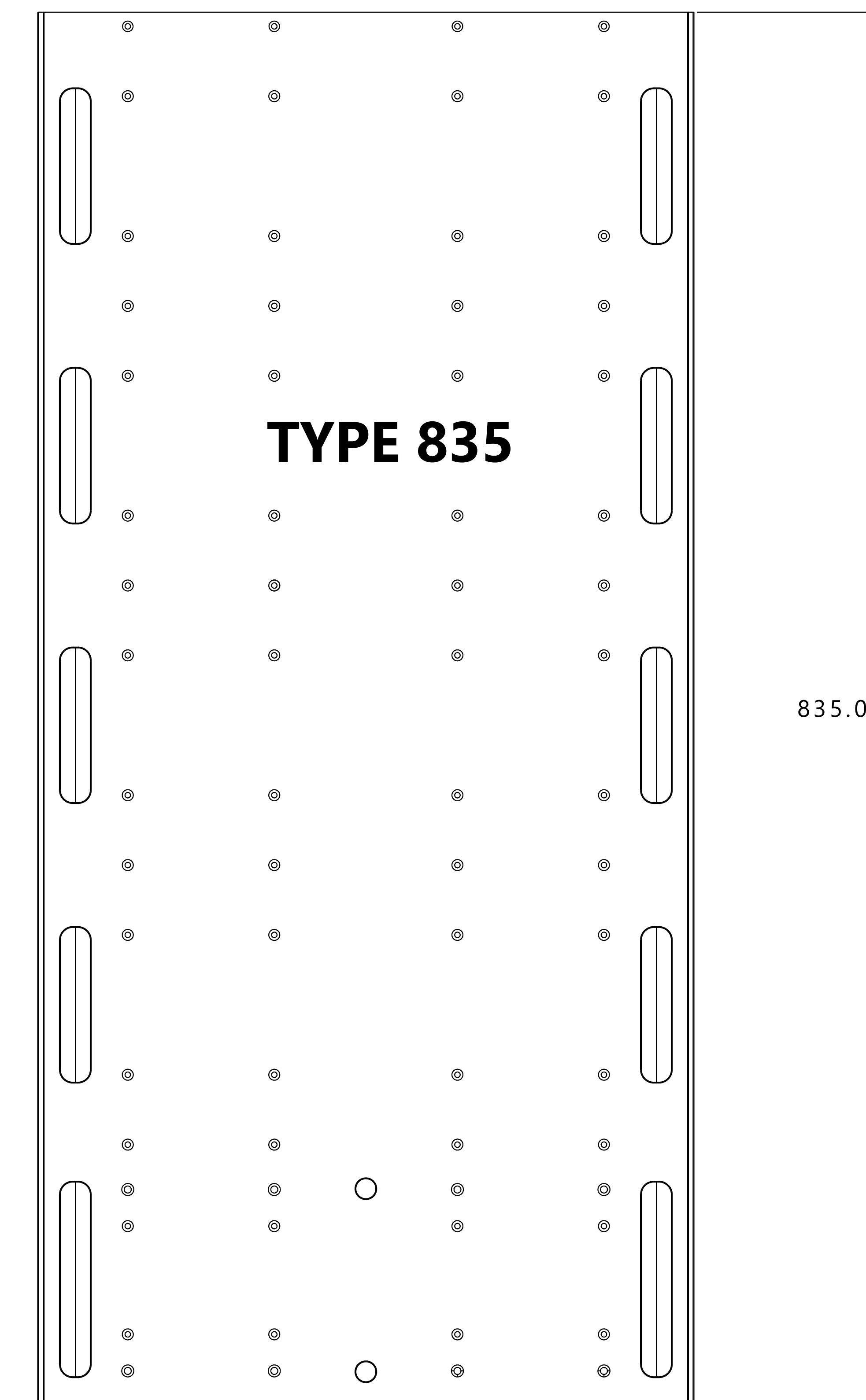
MODEL	INPUT VOLTAGE	CURRENT DRAW	DIMMING	DIMENSIONS	WEIGHT	WARRANTY
Legacy 1500W GT	200-480VAC	240V-7A/415V-4.5A	DALI	300x200x160mm	10.3kg	10 years

CONFIDENTIAL		©
PROPERTY OF LUMN PTY LTD.		
DETAILS:		SIG. & DATE
F	ISSUED	31/08/21
G	UPDATED	13/09/21
H	ADDED VERSIONS WITH/ WITHOUT SLOTS ADDED 2 X 12mm HOLES	16/09/21
I	ADDED 4 HOLES	17/09/21
J	ADDED 4 SLOTS	22/09/21
K	M4 - M5 HOLES	06/10/21
L	ADDED VERSIONS	12/10/21
M	REMOVED SLOTS. MODIFIED EDGE	08/12/21

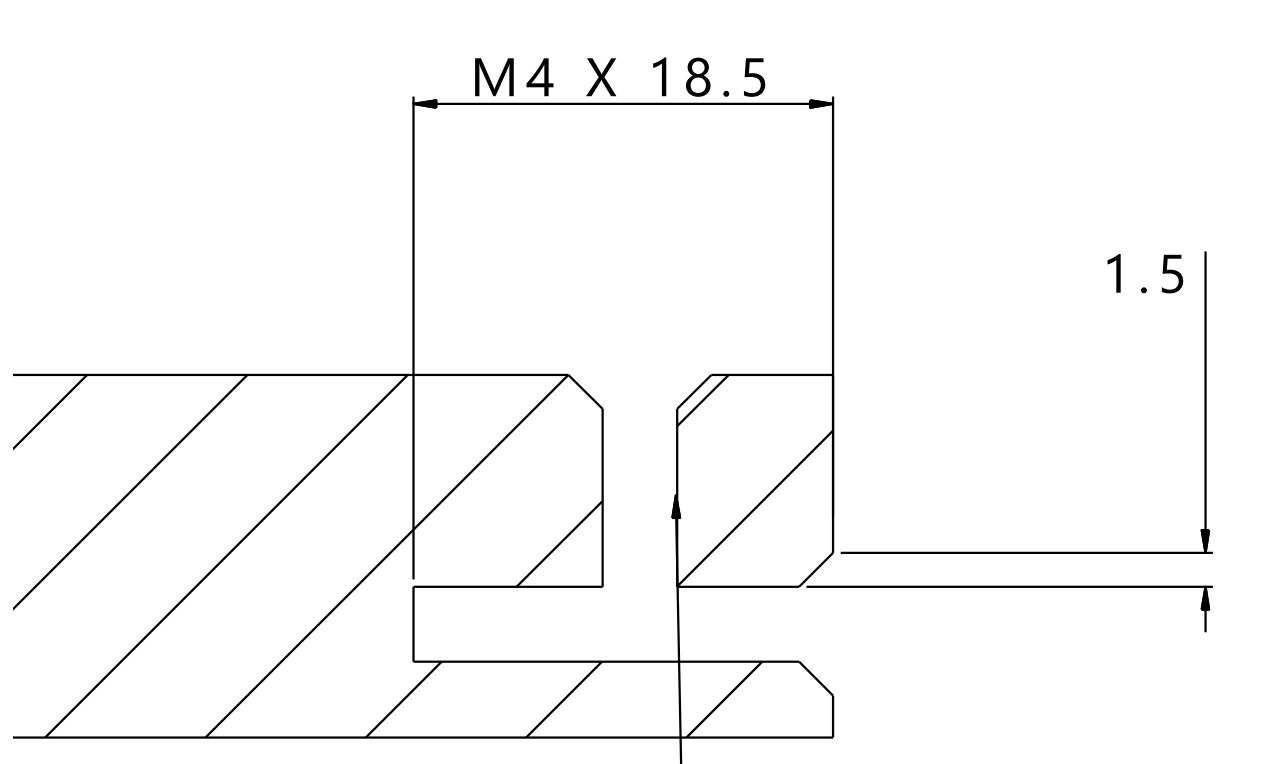
DIMENSIONAL TOLERANCE EXCEPT WHERE SPECIFIED
 EXTRUSION TOLERANCE: +/- 0.1MM +/- 0.1%
 MACHINING TOLERANCE: +/- 0.2MM
 CUT LENGTH TOLERANCE: +0.5/-0MM

CRITICAL DIMENSIONS SHOWN

MATERIAL: ALUMINIUM 6063-T6
 PASSIVATION: BLACK ANODISED



SECTION B-B
 21 ROWS X 4 CLAMPING HOLES - 1.5MM CHAMFER



SECTION C-C
 2 X 4 END PLATE HOLES

ALL HOLES IN THIS VIEW ARE M4
 WITH THE EXCEPTION OF THESE 8
 HOLES THAT ARE M5

3RD ANGLE PROJECTION. ALL DIMENSIONS IN MILLIMETERS			
ORIGINAL SCALE	1:2 UNLESS OTHERWISE STATED		
FILE REFERENCE			
CAD TYPE	POWERSHAPE		
COMPONENT WEIGHT			
	NAME	SIGNATURE	DATE
DRAWN			
CHECKED			
APPROVED			

LUMN

TITLE Legacy Sport Lighting
 Sports Light Gen II
 Housing Extrusion